

“LAN-MATE” SERIES

SINGLE RJ45 CONNECTOR MODULE WITH INTEGRATED 10/100 BASE-TX MAGNETICS AND LEDS

P/N: LU1T516-43

Page : 1/2

Feature



- RJ-45 connector integrated with X’FMR /Impedance resistor/High voltage capacitor.
- Size same as RJ-45 connector to save PCB Board space.
- Reduce EMI radiation, Improve EMI performance.
- Design for 100 BASE transmission over UTP-5 cable.
- Operating temperature range: 0°C to +70°C.
- Storage temperature range: -25°C to +85°C.
- Recommended panel

Part Number	Standard LED	Forward*V(Max)	(TYP)
3	YELLOW	2.6V	2.1V
4	GREEN	2.6V	2.2V

*with a forward current of 20mA

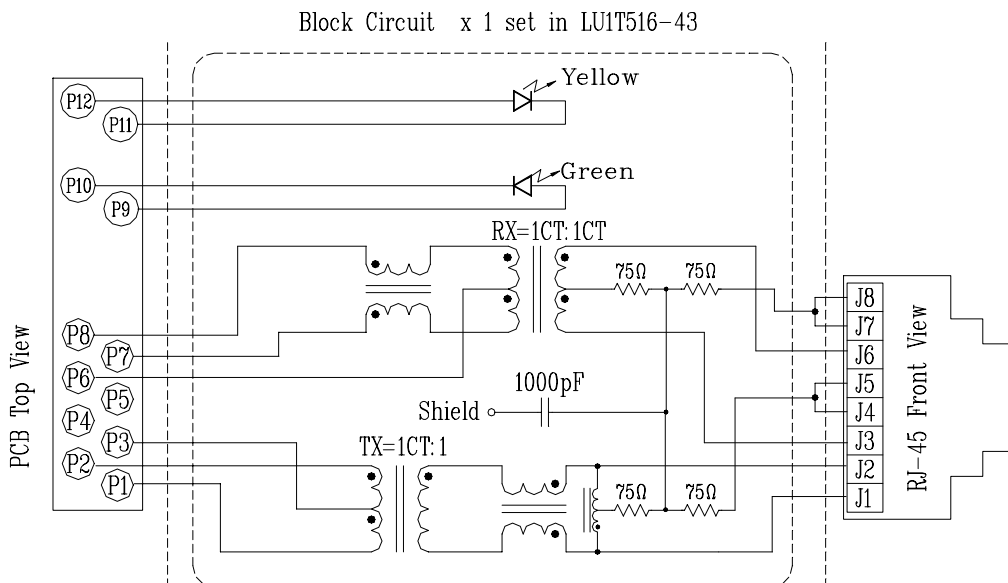
Electrical Specifications @ 25°C

Part Number	Turns Ratio (±5%)		OCL (uH Min) @100 KHz/0.1V with 8mA DC Bias	C _{ww} (pF Max)	L.L (uH Max)	Insertion Loss (dB Max) 0.3-100MHz	HI-POT (Vrms) 1500
	TX	RX					
LU1T516-43	1CT:1	1CT:1CT	350	28	0.4	-1.15	

Continue

Part Number	Return Loss (dB Min)					Cross talk (dB Min)			CMR (dB Min)		
	30MHz	40MHz	50MHz	60MHz	80MHz	0.3-30MHz	30-60MHz	60-100MHz	1-30MHz	30-60MHz	60-125MHz
LU1T516-43	-16	-14	-13.5	-13	-10	-40	-35	-30	-30	-25	-20

Schematic



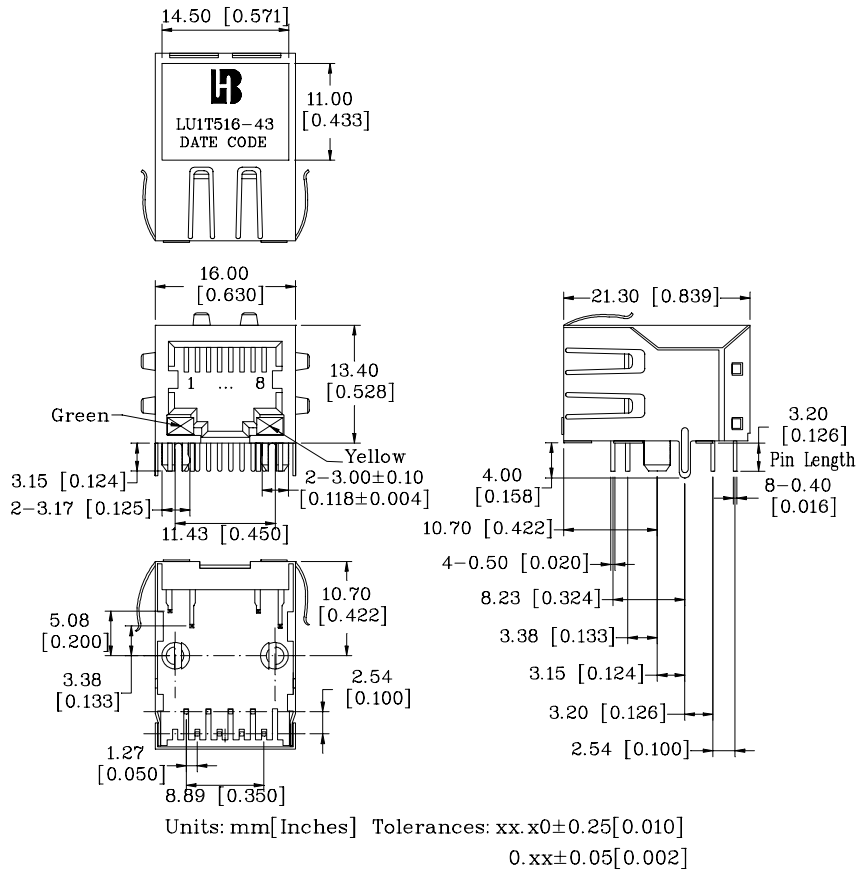
“LAN-MATE” SERIES

SINGLE RJ45 CONNECTOR MODULE WITH INTEGRATED 10/100 BASE-TX MAGNETICS AND LEDS

P/N: LU1T516-43

Page : 2/2

Mechanical



- 1. Plastic Material : Thermoplastic (UL 94V-0), Black Housing
- 2. Metal Shield : Brass, 20u inches thick Nickel
- 3. Spring Wire : 0.45mm Dia. Phosphor bronze with 50u inches gold plated
- 4. Solder Pin : 0.4x0.4mm, Phosphor bronze with solder Plated
- 5. Durability : 300 Mating cycles Min.

PCB Layout Mounting Hole(Top View)

